



S65/75/86X5-T982 Series

- Powered by Android 11



- 92% NTSC Color Gamut
- Zero Bonding Technology, Double Side AG Glass
- Smart Backlight Adjusting
- Wireless screen sharing
- WiFi 6
- Type C (Optional)
- NFC (Optional)

4K

Resolution

20 Touches

Infrared

50000 Hours

Life Time



Specifications

Product Model	S65X5-T982	S75X5-T982	S86X5-T982
Display Parameters			
Display Size	1429(H)*804(V)mm	1652.5(V)*930.5(V)mm	1897(V)*1068(V)mm
Pixel Size	0.372(H)*0.372(V)mm	0.430(H)*0.430(V)mm	0.4935(H)mm*0.4935(V) mm
Resolution	3840*2160		
Backlight Type	DLED		
Brightness	400 cd/m2	400 cd/m2	400 cd/m2
Contrast Ratio	4000:1	3000:1	3000:1
Refresh Frequency	60Hz		
Response Time	8ms		
Color Depth	1.07B (10bit)		
Color Gamut	92% NTSC(Typ.)		
View Angle	178°/178°		
Life Time	≥50000h		
Audio System			
Speaker	(8Ω 15W)*2		
Audio Channel	2.0		
Touch Specification			
Touch Technology	Infrared		
Touch Points	20 Touches		
Inductive Object	Finger, Stylus and any other non-transparent objects		
Inductive Size	Diameter≥2mm		
Touch Resolution	32768*32768		
Induction Height	3.5mm		
Touch Accuracy	±1mm (≥90% Touch area)		
Response Time	≤7ms		
Operating Life	More than 60,000,000 clicks		
System Support	Windows 11/10/8/7/ XP/ Android/Linux/Mac OS		
Touch Panel Glass	Double Side AG Glass (7 Mohs)		
Android Specification			
CPU	Quad-Core A55 1.5GHz		
GPU	Mali-G53 MP2		
RAM	4GB		
ROM/FLASH	32GB		
OS.	Android 11.0		
Networks	WiFi 6 (IEEE 802.11 ac/b/g/n/a/ax, 2.4GHz/5GHz) / LAN		

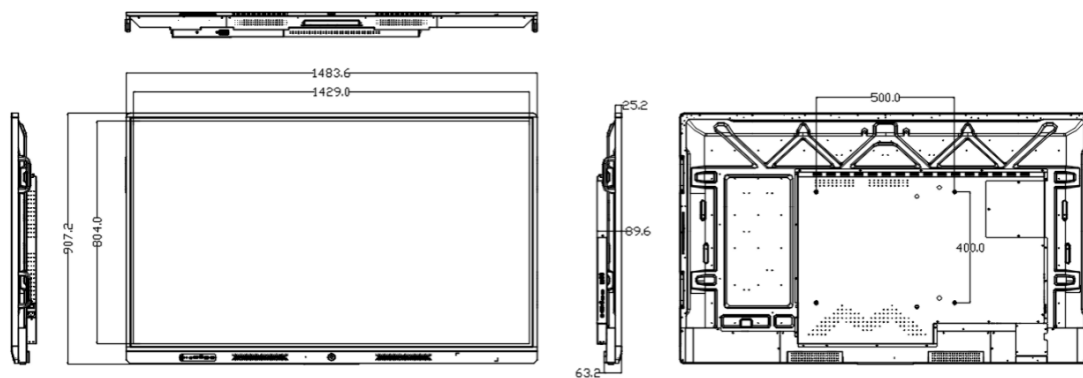
S65/75/86X5-T982 Series Interactive Flat Panel Datasheet



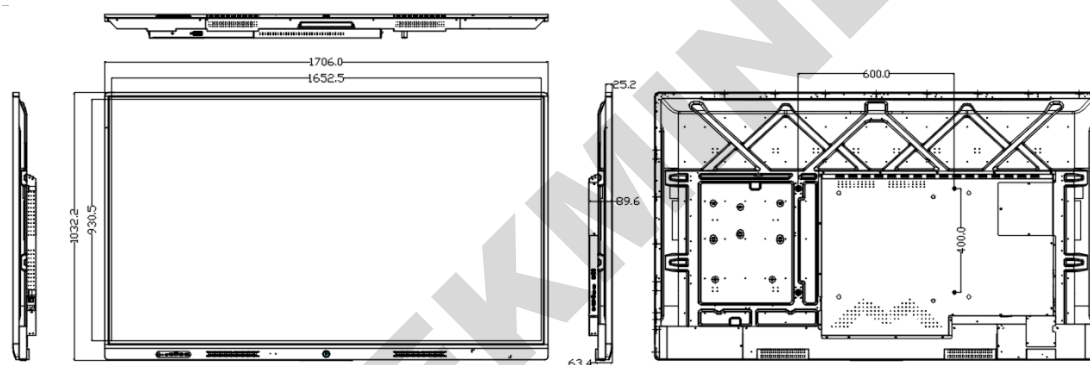
I/O Port				
Front I/O	USB 3.0	*2		
	HDMI IN	*1(Optional 1)		
	TOUCH OUT	*1(Optional 1)		
	TYPE C	*1(Optional 1)		
Rear I/O	HDMI IN	*2		
	USB 3.0	*2		
	TOUCH OUT	*1		
	USB 2.0	*1		
	RS232	*1		
	SPDIF	*1		
	RJ45	*2		
	PC AUDIO IN	*1		
	AUDIO OUT	*1		
	HDMI OUT	*1(Optional 2)		
	VGA IN	*1(Optional 2)		
	DP IN	*1(Optional 2)		
	TYPE C	*1(Optional 2)		
NFC	*1(Optional 3)			
Accessories				
Power Cord	*1			
Stylus	*1			
VESA Mount Brackets	*1(400*400mm)	*1(600*400mm)	*1(800*400mm)	
Setscrews	*1(M8*25mm)			
Mobile Floor Stand	(Optional 4)			
Wireless Screen Sharing Dongle (for PC)	(Optional 5)			
IR Smart Pen	(Optional 6)			
OPS PC	(Optional 7)			
PC Type	Plug-in Type Intel Core Series Modular PC			
Configuration	i3 / i5/ i7			
OPS Interface	80-PIN			
Others				
Product Size (mm)	1483.6×907.2×89.6	1706×1032.2×89.6	1952×1170.8×89.6	
Packing Size (CTN/cm)	170×23×107	186×28×115	216×28×134	
NW. (Kgs)	38.5	52.0	66.0	
GW. (Kgs)	51.5	69.5	86.0	
Power Consumption	≤280W	≤320W	≤380W	
Standby Power	≤0.5W			
Power Supply	100~240V AC 50/60Hz			
Working Environment	-10°C-50°C @ 10%-90%			
Storage Environment	-20°C-60°C @ 10%-90%			



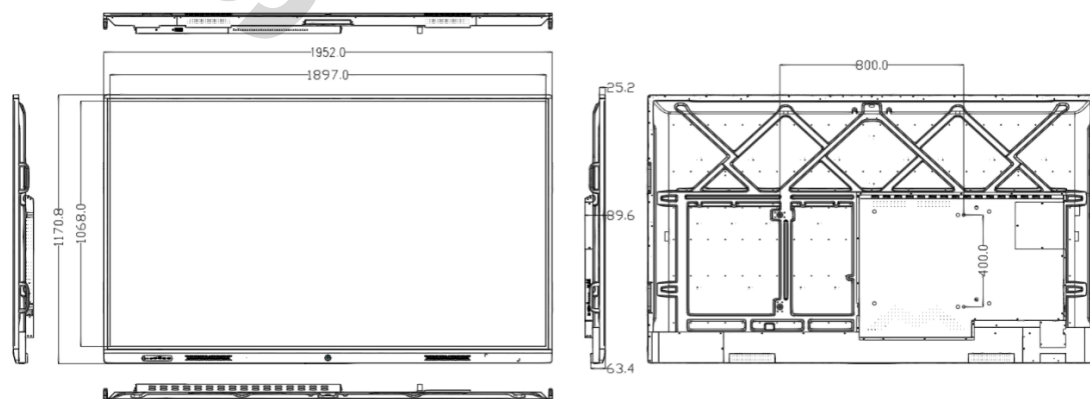
3-D Dimensions



S65X5



S75X5



S86X5